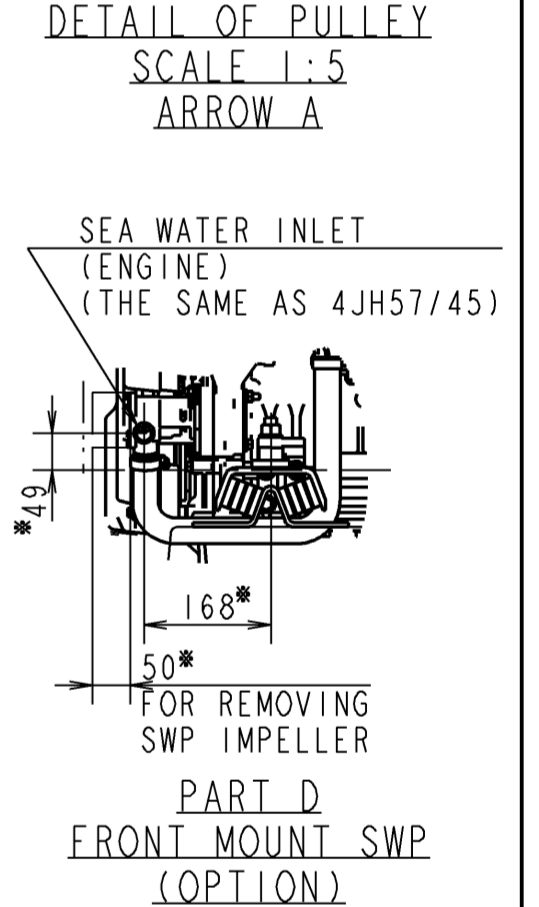
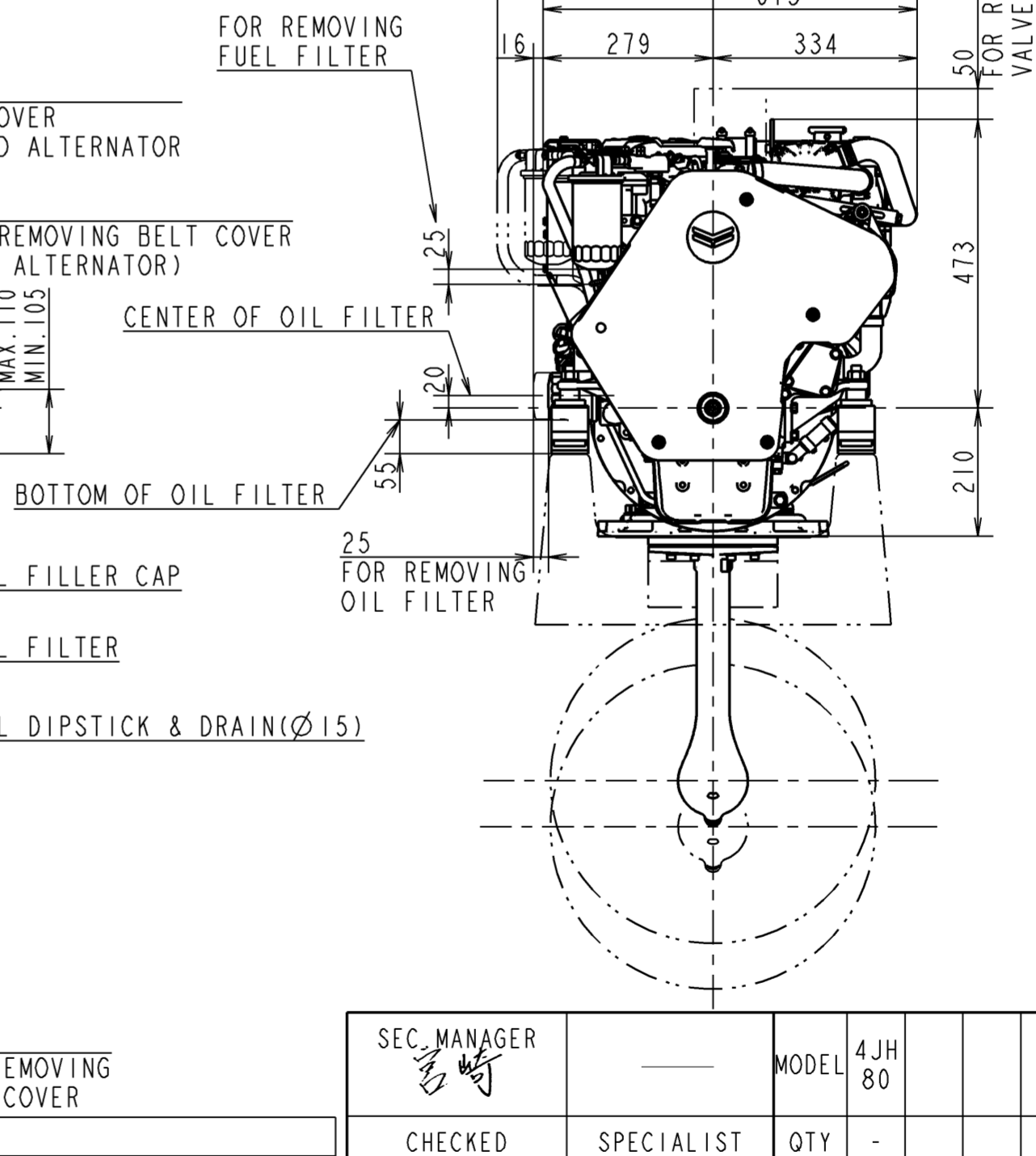
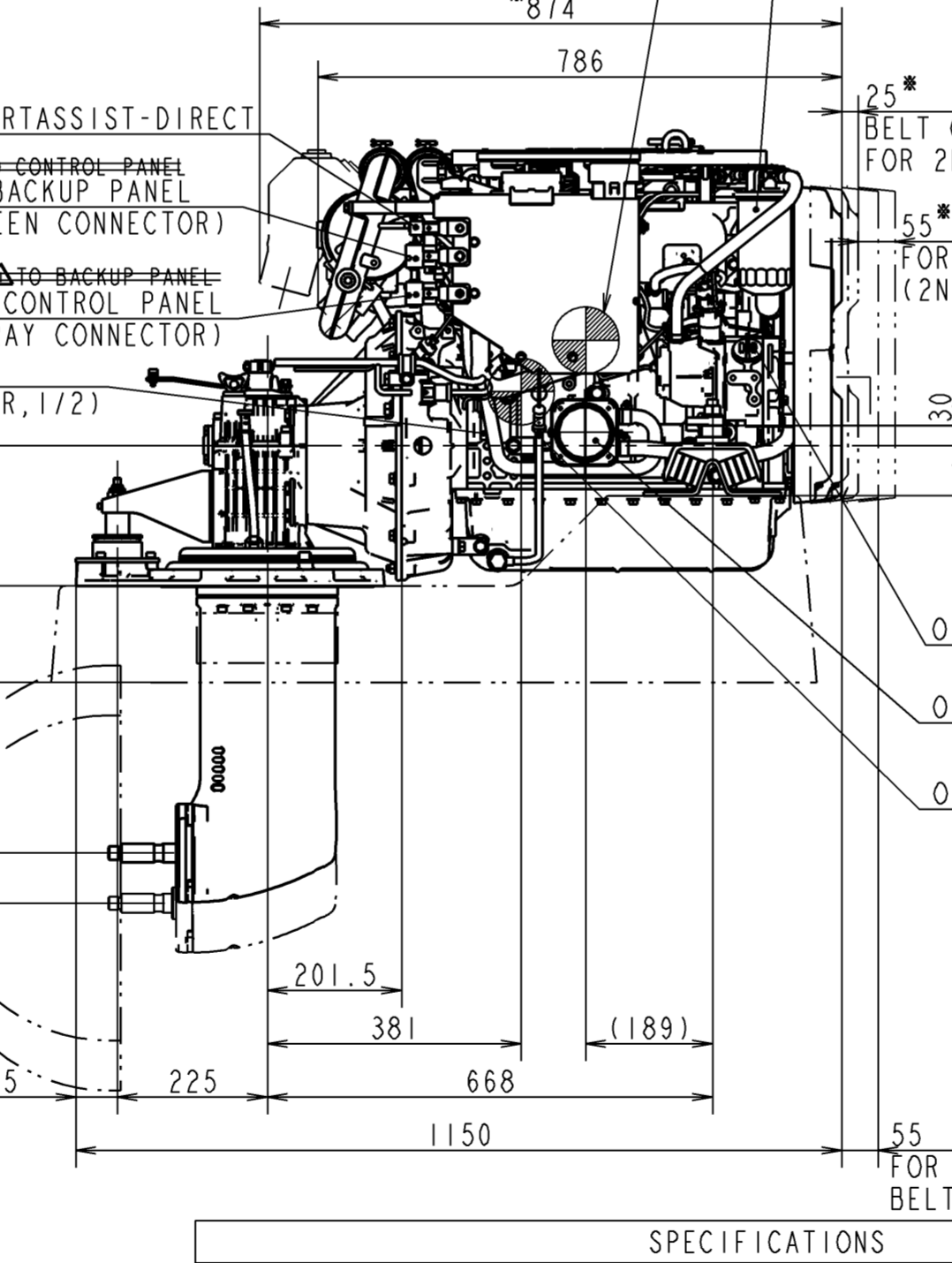
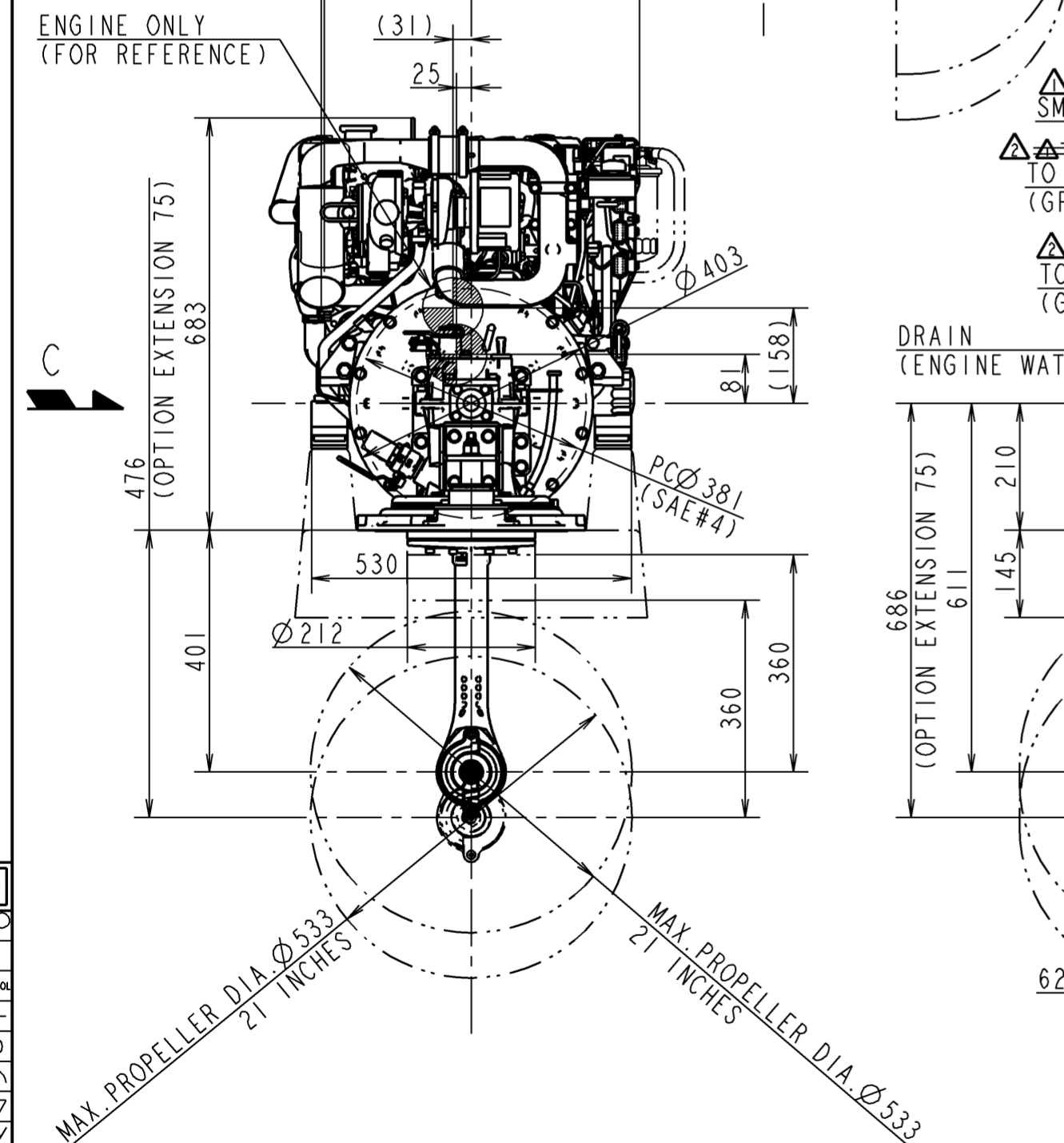
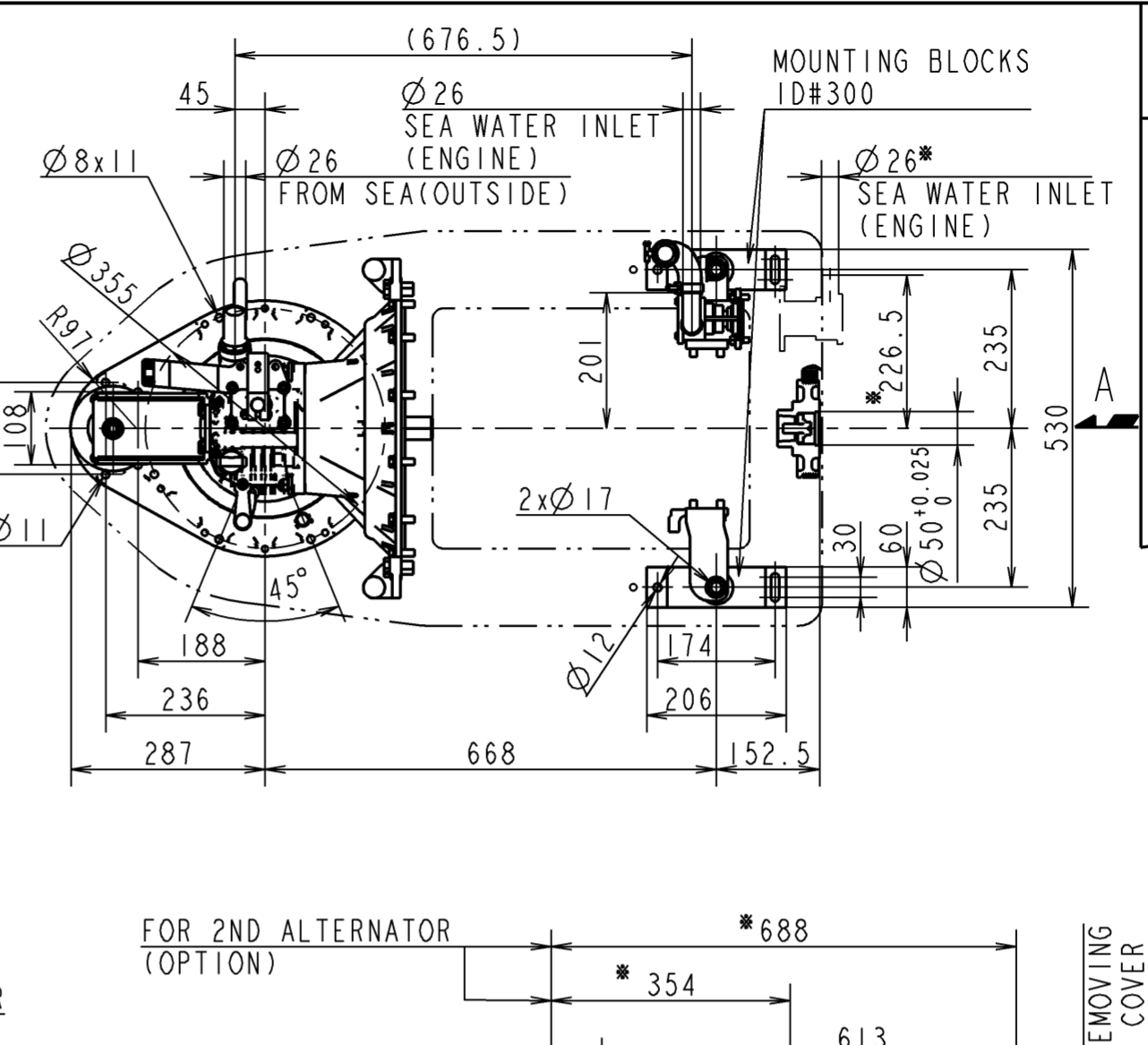
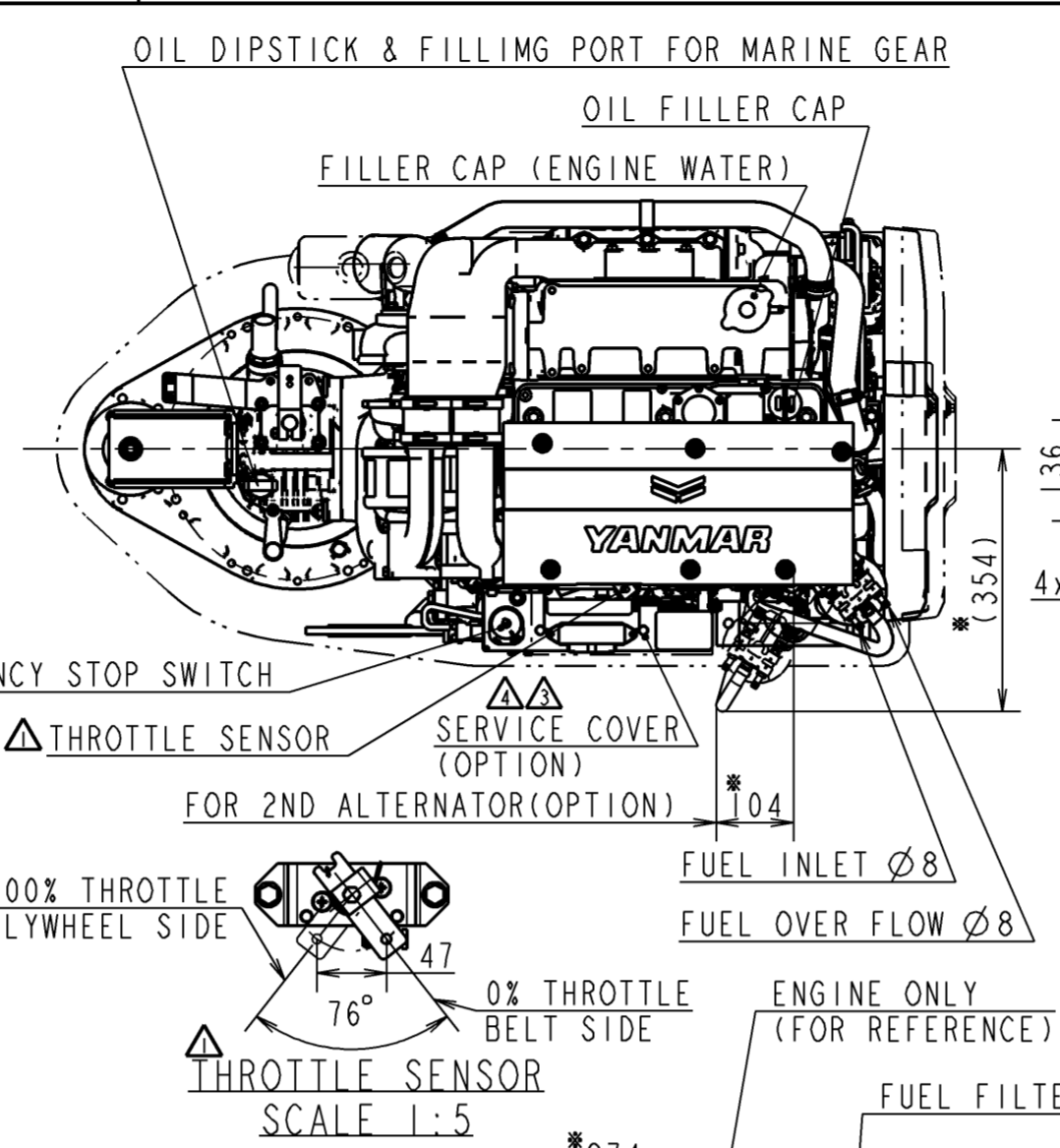
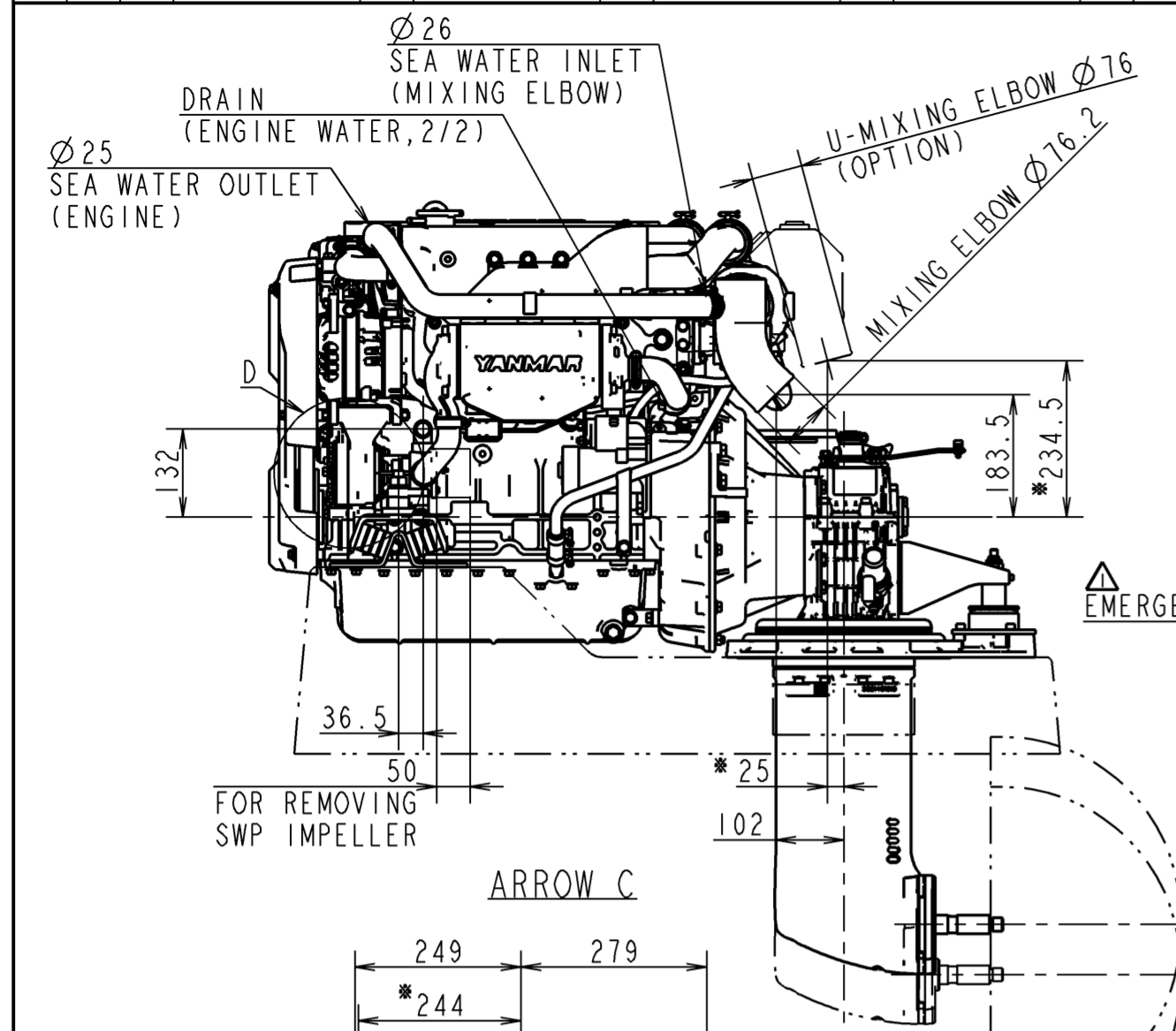


CAREER

改1形 YDSBD-14004により本図新製する。
 1改(2014.6.30)
 ・スロットルセンサ位置追加
 ・ベルトトレイン3Dモデル(フロント海水P用)追加
 ・緊急停止スイッチ位置追加
 ・各コネクタ位置追加(YDSBD-14012)(豊田)
 2改(2014.7.18)
 ・コネクタ位置の誤記を訂正する(YDSBD-14015)(豊田)
 3改(2016.4.11)
 ・サービスカバーオプション設定(YDSBD-16002)(豊田)
 REV.4(2018.3.20) CHANGE TOP COVER AND BELT COVER(YDSBD-18002)(SHIGA)
 REV.5(2019.2.5) DELETE UNNECESSARY RUBBER MOUNT(YDSBD-18025)(SHIGA)



NOTE
 1. MOUNTING BLOCKS ARE COMPRESSED ABOUT 4mm BY ENGINE WEIGHT. DIMENSIONS OF MOUNTING BLOCK IN THIS DRAWING ARE WITHOUT ANY DEFORMATION.
 2. MOUNTING BLOCKS ARE EQUIPPED FOR STANDARD ACCESSORY.
 3. THE FIGURES MARKED WITH * SHOW THE DIMENSIONS WITH U-MIXING ELBOW, OR OPTIONAL PARTS.
 4. ● SHOWS THE CENTER OF GRAVITY.

| SPECIFICATIONS | |
|--|--|
| Model | 4JH80 |
| Continuous Power (ISO 8665) | kW/min ⁻¹ 53.5 / 3101 |
| Fuel Stop Power | Propeller shaft (ISO 8665) kW/min ⁻¹ --- |
| | Crankshaft (ISO 8665) kW/min ⁻¹ 58.8 / 3200 |
| Reduction ratio | 2.23 2.49 --- |
| Dry mass | kg Approx. 274 |
| Direction of rotation at Propeller (Forward) | BOTH |

| | | |
|---|------------------|-----------------------------------|
| SEC. MANAGER 山口 | MODEL 4JH80 | SCALE 1:10 |
| CHECKED 北本 | SPECIALIST | QTY - |
| DESIGNED Y. Nuta | DRAWN A. Hori | DATE: Y.M.D 2014.3.17 |
| NAME OUTLINE, 4JH80-SD60 | | MATERIAL カイクイニス (4JH80) x SD60 |
| YANMAR YANMAR CO., LTD. DEVELOPMENT DIV. | | CODE B2-29676-0061 |
| 1改 2改 3改 REV.4 REV.5 | | DRAW SIZE A2 |

MANAGER
111口

3D-CAD
 NOTICE
 GEOMETRICAL TOLERANCE
 KIND OF TOLERANCE SYMBOL
 SURFACE TOLERANCE
 FINISH TOLERANCE
 POSITIONAL TOLERANCE
 FORM
 RUN-OUT LOCATION ORIENTATION
 UNCONTROLLED 2019/02/18 17:15:40