



3JH5E

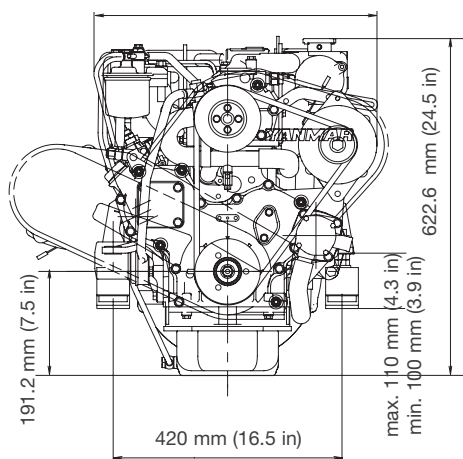
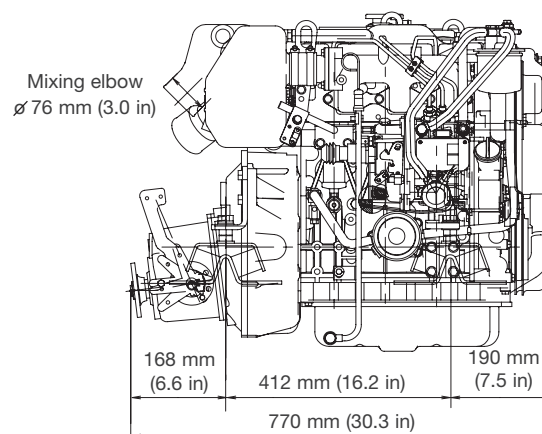
Configuration	In-line, 4-stroke, vertical, water-cooled diesel engine	
Max. output at crankshaft*	28.7 kW@3000 rpm	[39 mhp@3000 rpm]
No. of cylinders	3 cylinder	
Displacement	1.642 L	[100 cu in]
Bore x stroke	88 mm x 90 mm	[3.46 in x 3.54 in]
Aspiration	Natural	
Combustion system	Direct injection, mono plunger pump	
Starting system	Electric starting 12V - 1.4 kW	
Engine management	Mechanical	
Cooling system	Fresh water cooling by centrifugal fresh water pump Seawater cooling by rubber impeller seawater pump	
Alternator	12V - 125A	
Lubrication system	Enclosed, forced lubricating system	
Engine lube oil specifications	API class: CD or higher, SAE grade: 10W-30 or 15W-40	
Direction of rotation at crankshaft	Counterclockwise (CCW) viewed from stern	
Dry weight without gear	173 kg	[381 lbs]
Engine dimensions† L x W x H	776 x 560 x 623 mm	
Emission compliance	EU: RCD 2, BSO II, EMC	US: EPA Tier 2
Flywheel housing size	SAE #5	
Controls	Mechanical	

NOTE:Fuel condition: Density at 15°C = 0.84 g/cm³; 1 kW = 1.3596 mhp = 1.3410 HP

Technical data is according to (ISO 8665) / (ISO 3046)

* Fuel temperature 40°C at the inlet of the fuel injection pump (ISO 8665)

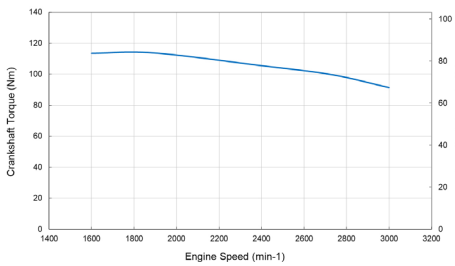
† Length includes KM35A marine gear (Dimensions may vary with other gears/elbow)

DIMENSIONS**Rear view****Right side view**3JH5E with KM35A marine gear
(Not to be used for engine installation)

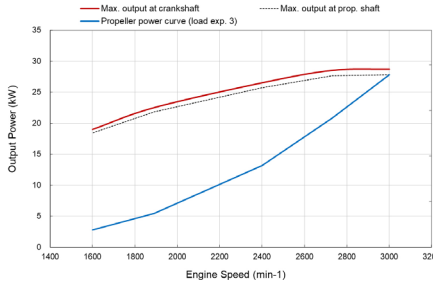


PERFORMANCE CURVES

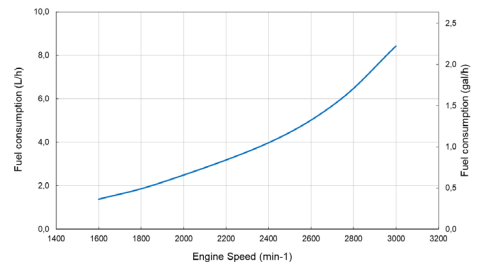
3JH5E Torque curve



3JH5E Output Power curve



3JH5E Fuel consumption (propload exp 3.0)

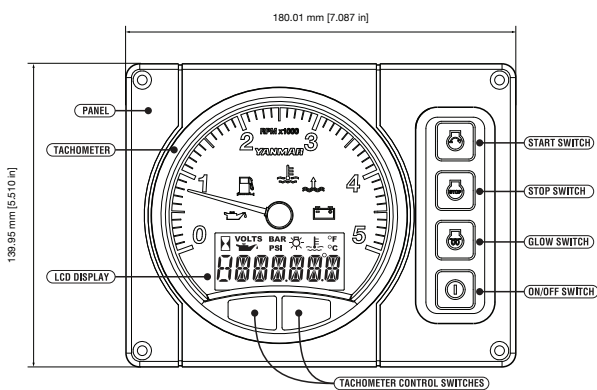


MARINE GEAR / DRIVE*

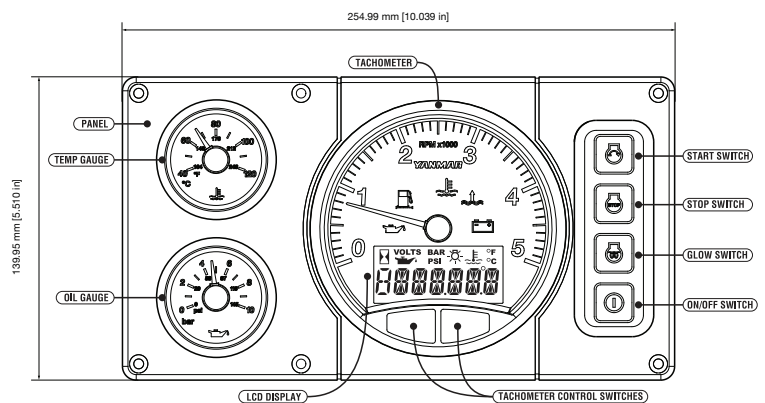
Model	KM35P	KM35A [down angle: 7°]	Saildrive [SD60]
Clutch type	Mechanical cone clutch	Mechanical cone clutch	Mechanical multi-disc clutch
Dry weight	12 kg [26 lbs]	13 kg [29 lbs]	44 kg [97 lbs]
Reduction ratio [fwd/asn]	2.36/3.16 2.61/3.16	2.33/3.04 2.64/3.04	2.23/2.23 2.49/2.49
Direction of rotation [viewed from stern]	Clockwise	Clockwise	Clockwise & counter clockwise
Lubrication system	Splash lubrication	Splash lubrication	Splash lubrication
Lube oil specifications	API class: CD or higher, SAE grade: #20 or #30	API class: CD or higher, SAE grade: #20 or #30	API class: CD or higher, SAE grade: 15W-40
Max. lube oil capacity	0.5 L	0.65 L	2.8 L
Dry weight - engine & gear/drive	185 kg [408 lbs]	186 kg [410 lbs]	217 kg [478 lbs]

* Other marine gearboxes and configurations available upon request. Contact your local supplier for more information

INSTRUMENT PANELS



B20 panel



C30 panel

ACCESSORIES

Standard engine package

- Exhaust mixing elbow [L-type]
- Alternator 12V - 125A
- B20 panel
- Flexible mounts
- Expansion tank for fresh water cooling system
- Electric stop solenoid
- Belt safety cover

Optional accessories

- High-riser mixing elbow [instead of L-elbow]
- Secondary alternator 12V - 130A or 24V - 75A including smart regulator
- C30 panel
- Extension wire harness [4m, 6m 10m]
- Dual harness [for 2nd station]
- TFX Sidemount control head

- Hot water kit with cocks
- Extension saildrive leg [75 mm]
- Propeller cone nut kit SD60
- On-board spare parts kit

NOTE: All data subject to change without notice. Text and illustrations are not binding.