



4JH Series - 45 / 57

Configuration	In-line, 4-stroke, vertical, water-cooled diesel engine	
Max. output at crankshaft*	33.1 kW@3000 rpm	[45 mhp@3000 rpm]
	41.9 kW@3000 rpm	[57 mhp@3000 rpm]
No. of cylinders	4 cylinder	
Displacement	2.190 L	[134 cu in]
Bore x stroke	88 mm x 90 mm	[3.46 in x 3.54 in]
Aspiration	Natural	
Combustion system	Direct injection, Bosch common rail system	
Starting system	Electric starting 12V - 1.4 kW	
Engine management	Electronic	
Cooling system	Fresh water cooling by centrifugal fresh water pump	
	Seawater cooling by rubber impeller seawater pump	
Alternator	12V - 125A	
Lubrication system	Enclosed, forced lubricating system	
Engine lube oil specifications	API class: CD or higher, SAE grade: 10W-30 or 15W-40	
Direction of rotation at crankshaft	Counterclockwise (CCW) viewed from stern	
Dry weight without gear	220 kg	[485 lbs]
Engine dimensions† L x W x H	870 x 589 x 627 mm	
Emission compliance	EU: RCD 2, BSO II, EMC	US: EPA Tier 3, EPA-C
Flywheel housing size	SAE #5	
Controls	Mechanical (optional - VC20 system)	

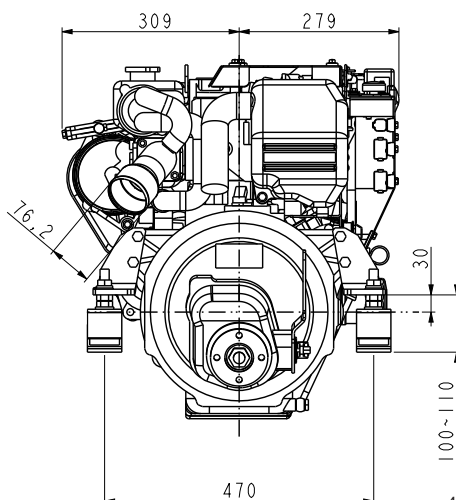
NOTE: Fuel condition: Density at 15°C = 0.84 g/cm³; 1 kW = 1.3596 mhp = 1.3410 HP
 Technical data is according to (ISO 8665) / (ISO 3046)

* Fuel temperature 40°C at the inlet of the fuel injection pump (ISO 8665)

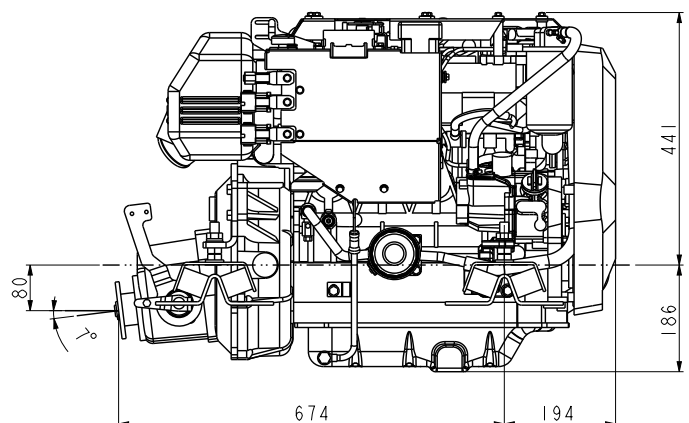
†Length includes KM35P marine gear (Dimensions may vary with other gears/elbow)

DIMENSIONS

Rear view



Right side view

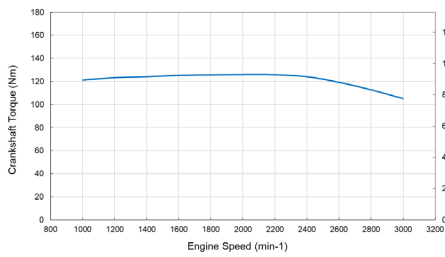


4JH45/57 with KM35P marine gear
 (Not to be used for engine installation)

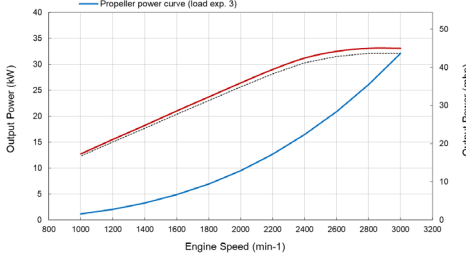


PERFORMANCE CURVES

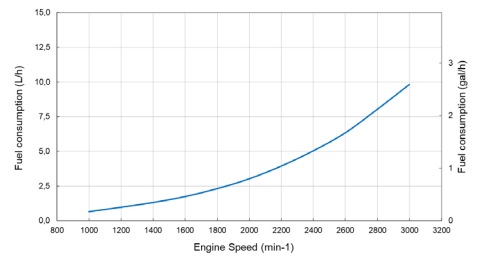
4JH45 Torque curve



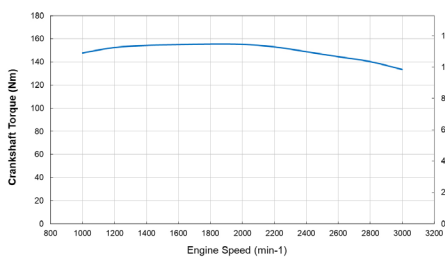
4JH45 Output Power curve



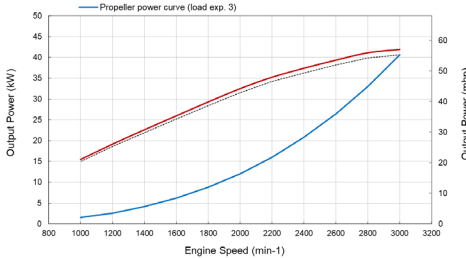
4JH45 Fuel consumption (proload exp 3.0)



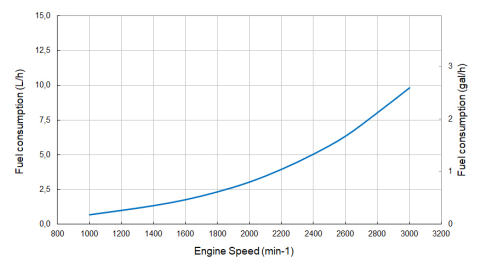
4JH57 Torque curve



4JH57 Output Power curve



4JH57 Fuel consumption (load exp. 3.0)



MARINE GEAR / DRIVE*

Model	KM35P [parallel]	KM35A2 [down angle: 7°]	KM4A1 [down angle: 7°]	ZF30M [parallel]	Saildrive [SD60]
Clutch type	Mechanical cone clutch	Mechanical cone clutch	Mechanical cone clutch	Mechanical multi-disc	Mechanical multi-disc
Dry weight	15 kg [33 lbs]	16 kg [35 lbs]	33 kg [73 lbs]	23 kg [51 lbs]	44 kg [97 lbs]
Reduction ratio [fwd/asn]	2.36/3.16 2.61/3.16	2.33/3.04 2.64/3.04	1.47/1.47 2.14/2.14 2.63/2.63	2.15/2.64 2.70/2.64	2.23/2.23 2.49/2.49
Direction of rotation [viewed from stern]	Clockwise	Clockwise	Clockwise & counterclockwise	Clockwise	Clockwise & counter clockwise
Lubrication system	Splash lubrication			Trochoid pump	Splash lubrication
Lube oil specifications	API class: CD or higher, SAE grade: #20 or #30				ATF
Max. lube oil capacity	1.1 L	0.65 L	2.0 L	1.1 L	2.8 L
Dry weight - engine & gear	235 kg [518 lbs]	236 kg [520 lbs]	253 kg [558 lbs]	243 kg [536 lbs]	264 kg [582 lbs]

* Other marine gearboxes and configurations available upon request. Contact your local supplier for more information.

ACCESSORIES

Standard engine package

- Exhaust mixing elbow [L-type]
- Alternator 12V - 125A
- B25 panel
- Flexible mounts
- Mechanical throttle sensor
- Fuel pre-filter with water separator
- Fresh water expansion tank
- Belt safety cover

Optional

- High-riser mixing elbow [instead of L-elbow]
- Secondary alternator 12V - 125A or 24V - 60A
- C35 panel
- Extension harness [3m, 5m, 10m]
- Second station
- TFX Sidemount control head
- VC20 Vessel Control System
- NMEA2000 Engine monitoring system

- Semi 2-pole
- SOLAS including Certificate [factory fit only]
- Hot water kit with cocks
- Extension saildrive leg [75 mm]
- Propeller cone nut kit SD60
- On-board spare parts kit

NOTE: All data subject to change without notice. Text and illustrations are not binding.