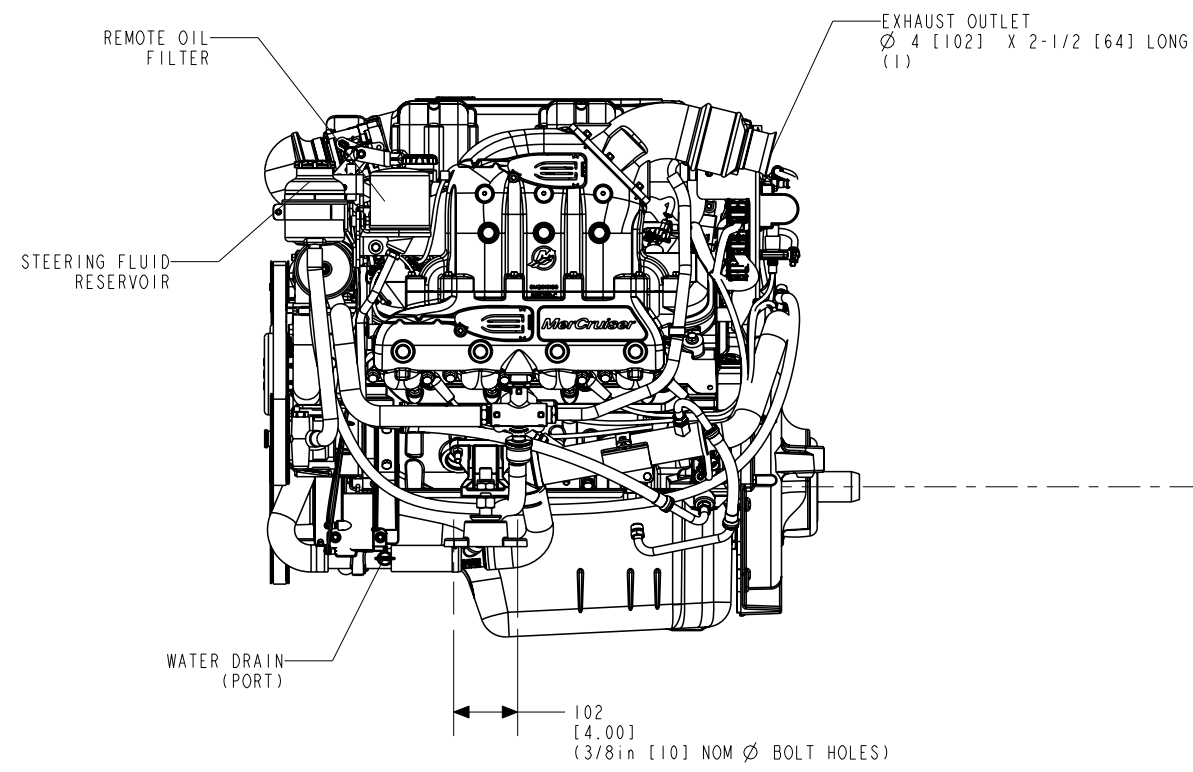
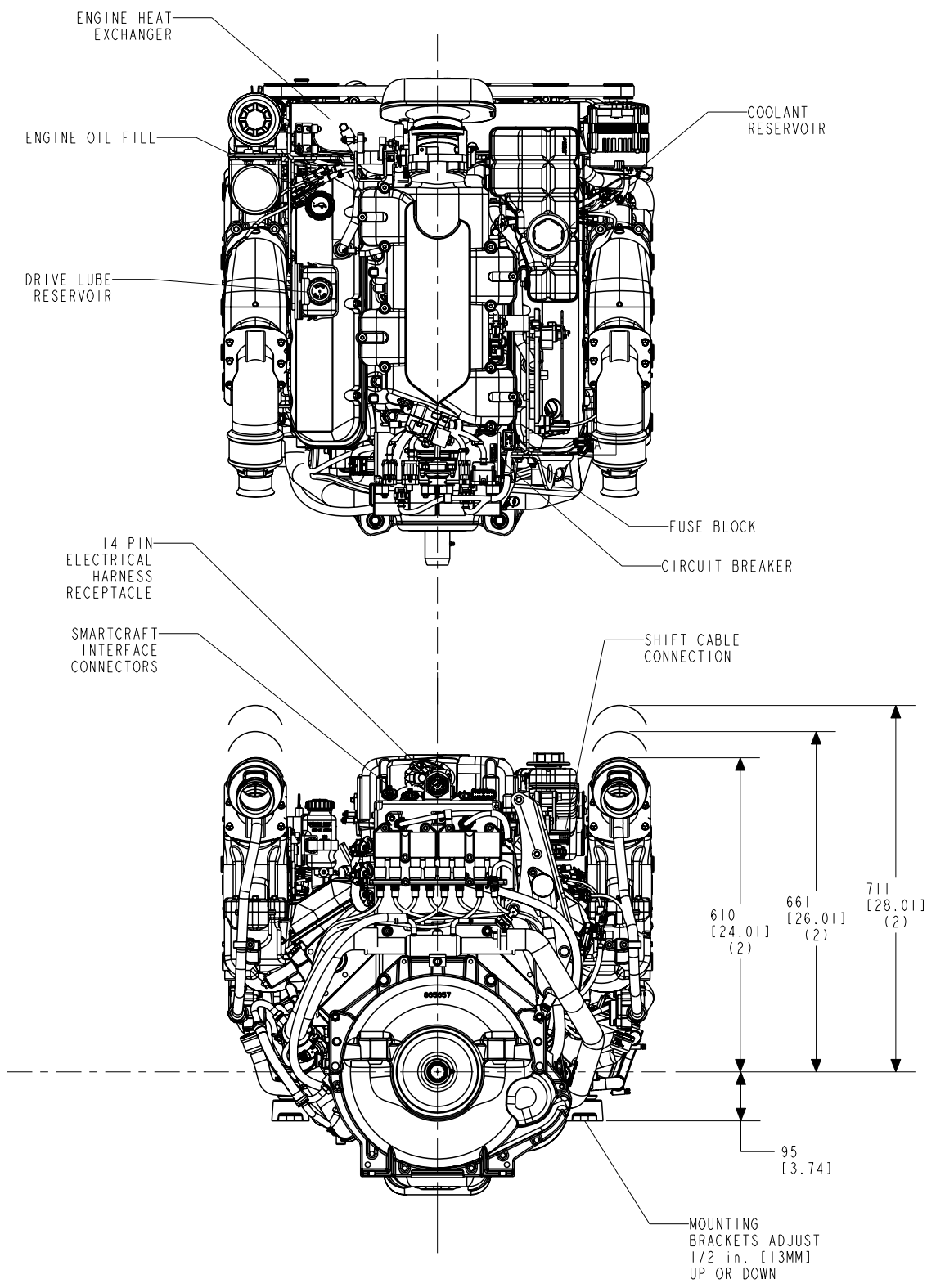


NOTES:  
 (1) REFER TO THE APPLICATION MANUAL FOR COMPLETE PRODUCT INSTALLATION REQUIREMENTS.  
 (2) DIMENSIONS REQUIRE A MINIMUM OF 1/2 in. (13 mm) CLEARANCE FOR MOTOR MOUNT DEFLECTION.  
 (3) INNER AND OUTER SURFACES OF TRANSOM MUST BE PARALLEL WITHIN 1/8 in. (3 mm) IN AREA COVERED BY TRANSOM PLATES AND REMAIN WITHIN TRANSOM THICKNESS LIMITS.  
 (4) REFER TO "TRANSOM CUTOUT" IN THE INSTALLATION MANUAL TO FIND THE CRANKSHAFT CENTERLINE VS. BOAT BOTTOM.

8M2018208 8.2L MAG EC 8.2L MAG HO EC	REVISION	UNITS	SCALE	SHEETS	
	C	mm (in)	25.4 mm = 305 mm 1" = 1'	1 OF 2	



CRANKSHAFT  
⊥



NOTES:  
 (1) REFER TO THE APPLICATION MANUAL FOR COMPLETE PRODUCT INSTALLATION REQUIREMENTS.  
 (2) DIMENSIONS REQUIRE A MINIMUM OF 1/2 in. (13 mm) CLEARANCE FOR MOTOR MOUNT DEFLECTION.  
 (3) INNER AND OUTER SURFACES OF TRANSOM MUST BE PARALLEL WITHIN 1/8 in. (3 mm) IN AREA COVERED BY TRANSOM PLATES AND REMAIN WITHIN TRANSOM THICKNESS LIMITS.  
 (4) REFER TO "TRANSOM CUTOUT" IN THE INSTALLATION MANUAL TO FIND THE CRANKSHAFT CENTERLINE VS. BOAT BOTTOM.

<b>8M2018208</b> <b>8.2L MAG EC</b> <b>8.2L MAG HO EC</b>	REVISION	UNITS	SCALE	SHEETS	
	<b>B</b>	mm (in)	25.4 mm = 305 mm 1" = 1'	2 of 2	